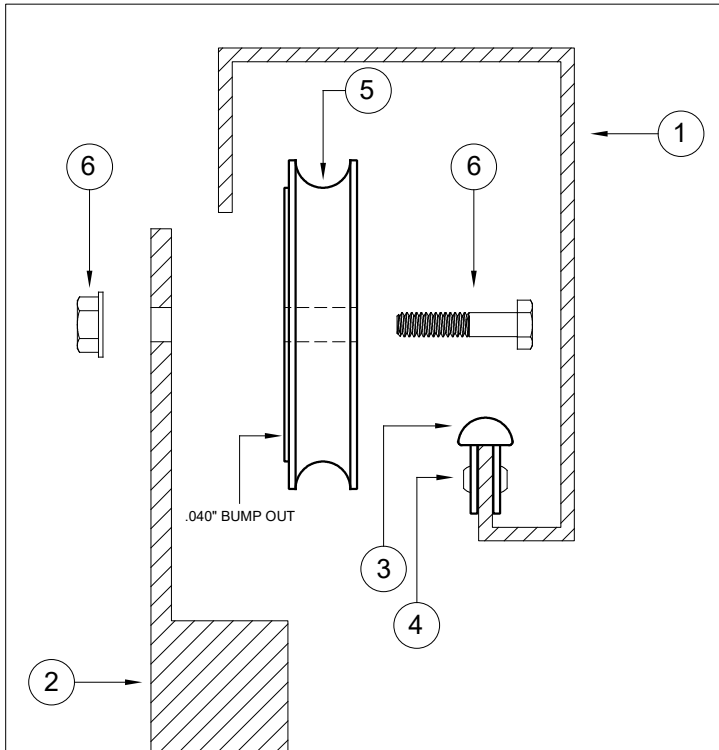
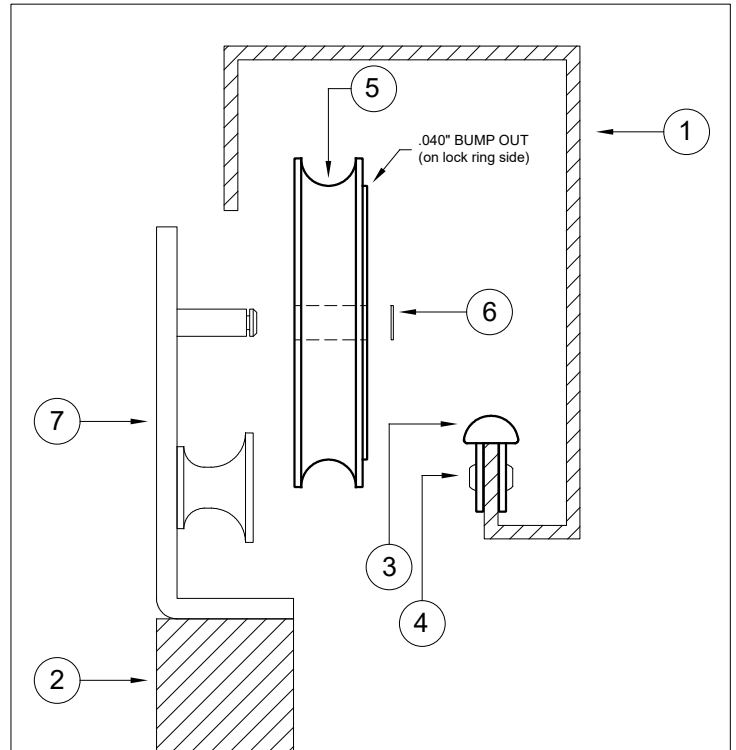


FOR INTEGRATED DOOR STYLE

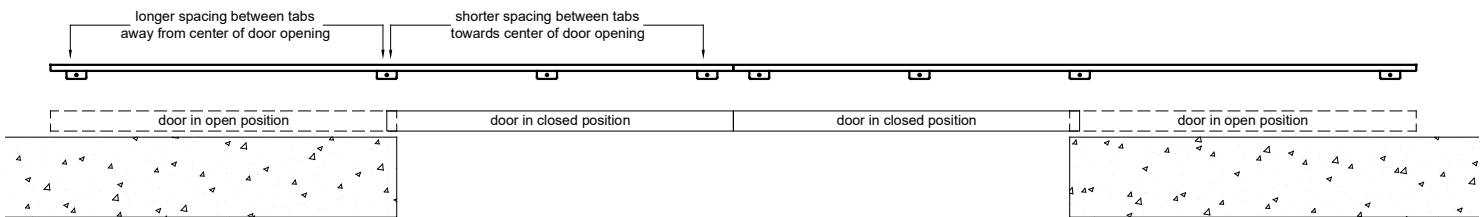


FOR NON-INTEGRATED DOOR STYLE



- ① Existing opening track
- ② Existing door
- ③ SMF 304 Stainless Steel track liner
- ④ $\frac{3}{16}$ " Stainless steel pop rivet
(see Grainger #4Y089, tool #4Y128, & #11 split point drill bit)
- ⑤ SMF Nylon roller with 6203 bearing
- ⑥ Existing hardware (bolt & nut or lock ring)
(can reuse if in good condition)
- ⑦ Mounting bracket for non-integrated door style

* PLEASE NOTE THAT ONLY ITEM NUMBERS 3 & 5 ARE INCLUDED IN THE SMF 304 SS DOOR TRACK KIT



TRACK ORIENTATION SHOWN FOR TYPICAL CENTER OPENING

SMF

SPECIALTY METAL FABRICATORS
2501 N. Columbia Blvd. Portland, OR 97217 | (503) 281 0059

SMF 304 SS track conversion kit with all natural nylon billet rollers
for Westinghouse E4 entrance doors

For information and orders please contact Jessica at
(503) 281 0059 (ext. 1) or jessica@specialtymetalfab.com